

**SINGER**  
**14U65B,85B**

# PARTS LIST

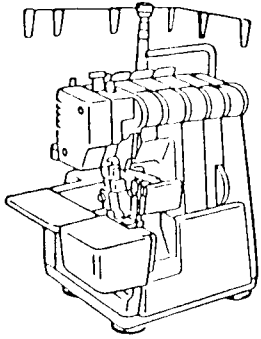
# SINGER\*

14U65B  
85B

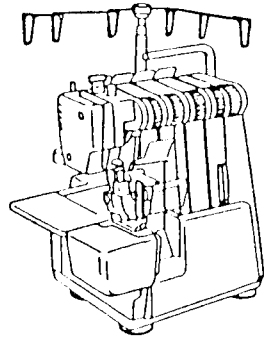
\* A Trademark of THE SINGER COMPANY  
Copyright ©1987 SINGER SEWING MACHINE COMPANY  
All Rights Reserved Throughout The World

INDEX

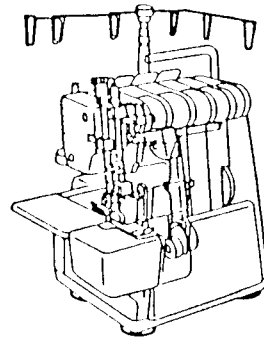
1



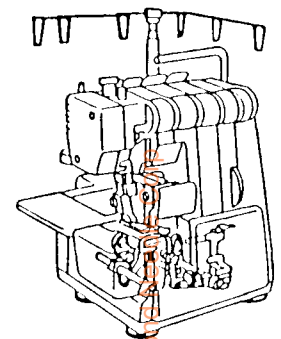
2



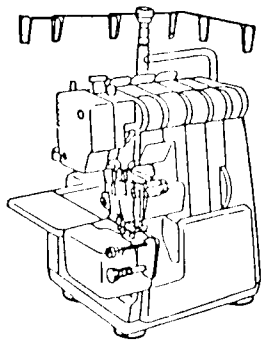
3



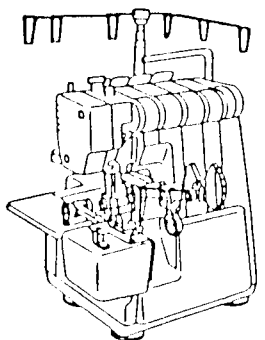
4



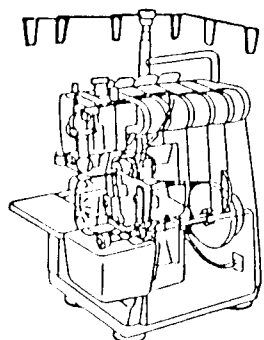
5



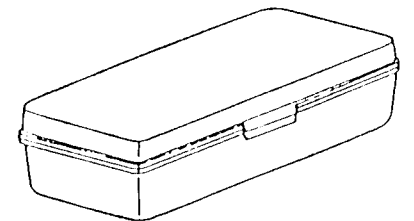
6



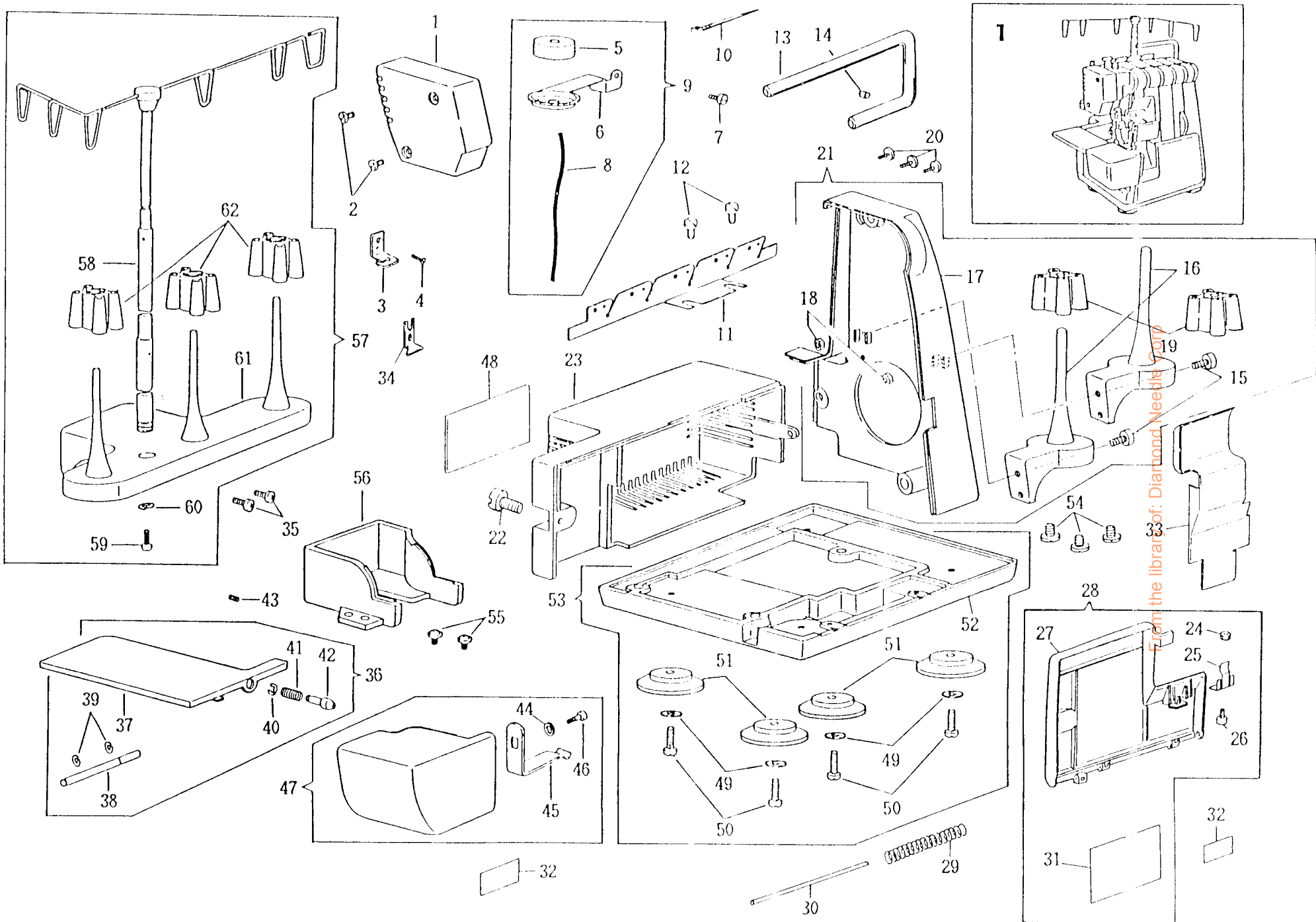
7



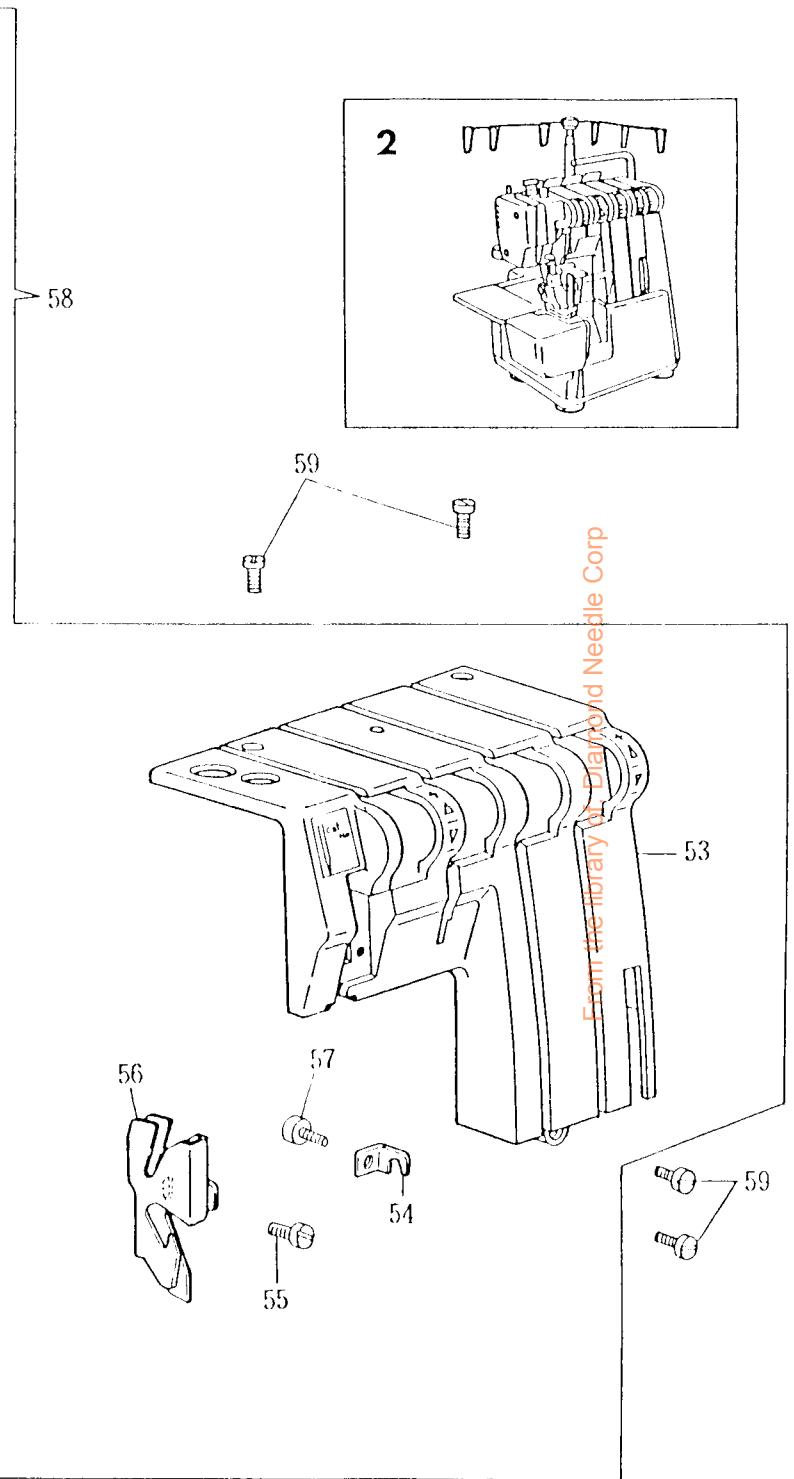
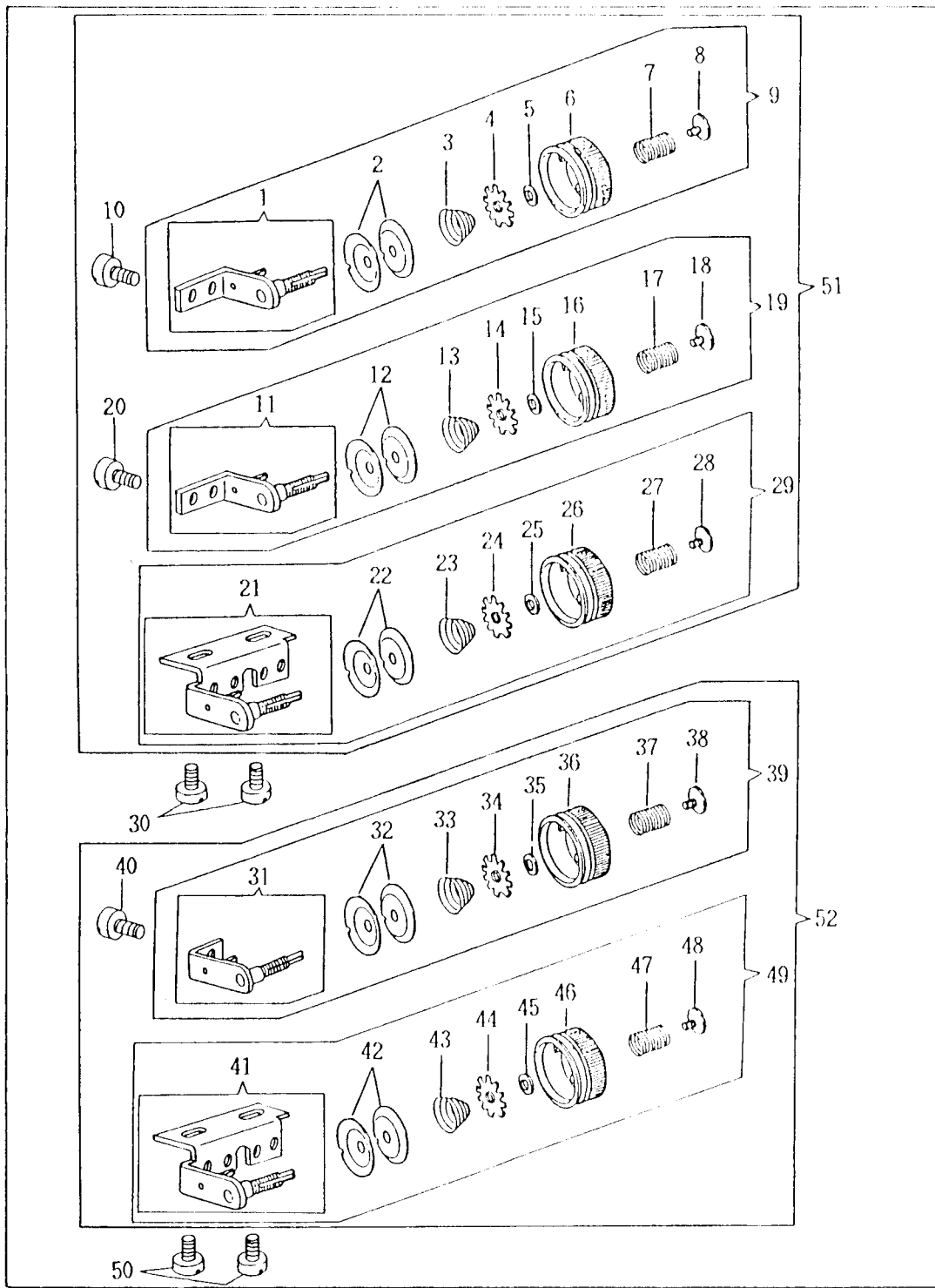
8



From the library of: Diam...

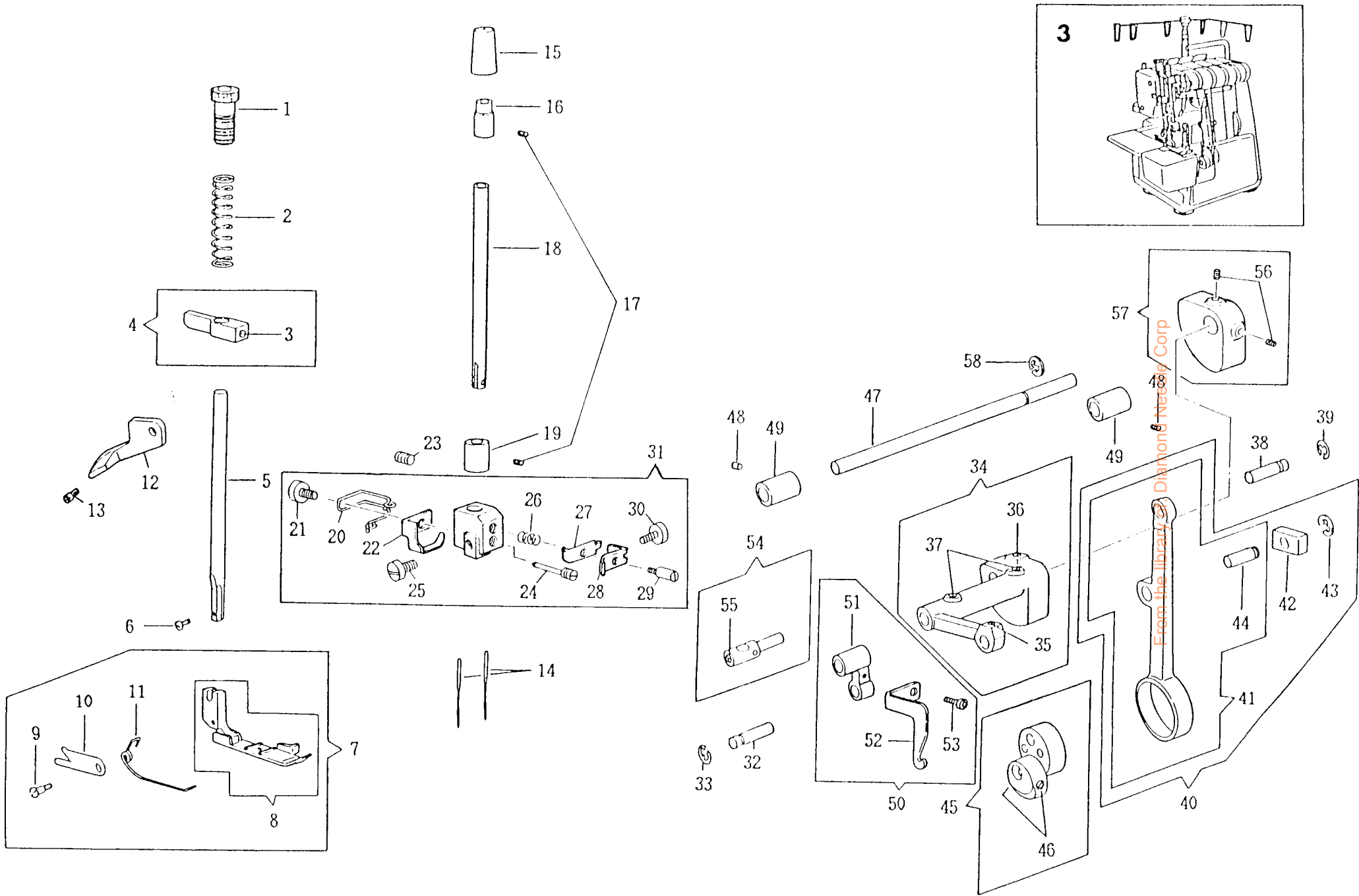


PARTS NO.	DESCRIPTION	PARTS NO.	DESCRIPTION
1	412735-002 Light Cover	37	376780-902 Convertible Bed Plate (body)
2	544212-072 Light Cover Screw (2)	38	376785 Convertible Bed Plate Stud
3	412534 Needle Thread Guide	39	546623 Convertible Bed Plate Stud Retaining Ring (2)
4	544258 Needle Thread Guide Set Screw	40	546623 Convertible Bed Plate Latch Retaining Ring
5	410205 Felt	41	376786 Convertible Bed Plate Latch Spring
6	410204 Felt Support	42	381874-451 Convertible Bed Plate Latch
7	544039 Felt Support Set Screw	43	544203-001 Convertible Bed Plate Stud Set Screw
8	543370 Oil Wick	44	543804-003 Cylinder Cover Spring Clamping Screw Washer
9	410203 Felt Support Comp.	45	412682 Cylinder Cover Spring
10	540899 Cord Retainer	46	412697 Cylinder Cover Spring Clamping Screw
11	376864 Thread Guide Plate	47	412706-002 Cylinder Cover Comp.
12	544212-001 Thread Guide Plate Set Screw (2)	48	419059-001 Electrical Data Plate(for UL)
13	410202 Handle	49	543803-004 Machine Base Cushion Screw Washer (4)
14	544204-005 Handle Set Screw	50	544218-001 Machine Base Cushion Screw (4)
15	544212-004 Thread Unwinder (small) Screw (2)	51	410208 Machine Base Cushion (4)
16	376779-002 Thread Unwinder (small) (2)	52	370257-451 Machine Base
17	376868-451 Pulley Cover	53	370256-451 Machine Base Comp.
18	541165-001 Thread Unwinder (small) Screw Nut (2)	54	544214-005 Machine Base Set Screw (3)
19	546893 Spool Holder (2)	55	544270-001 Transformer Cover Screw (2)
20	544270-001 Pulley Cover Screw (3)	56	412736-002 Transformer Cover
21	376867-451 Pulley Cover Comp.	57	376865-451 Thread Unwinder Comp.
22	544270-001 Motor Cover Screw	58	376866 Thread Unwinder Thread Guide Rod Comp.
23	410248-003 Motor Cover	59	544212-003 Thread Unwinder Thread Guide Rod Screw
24	541165-001 Chip Guard Presser Spring Screw Nut	60	543805-003 Thread Unwinder Thread Guide Rod Screw Washer
25	376872 Chip Guard Presser Spring	61	410389-902 Thread Unwinder
26	544212-002 Chip Guard Presser Spring Screw	62	546893 Spool Holder (3)
27	376870-451 Looper Cover		
27	376870-452 Looper Cover (FOR DIFF. FEED M/C)		
28	376869-451 Looper Cover Comp.		
28	376869-452 Looper Cover Comp.(FOR DIFF. FEED M/C)		
29	376717 Looper Cover Hinge Pin Spring		
30	410239 Looper Cover Hinge Pin		
31	376873-002 Threading Chart		
32	412611 Caution Label (2)		
33	376874-451 Chip Guide		
34	370264 Needle Thread Guide Auxiliary Plate		
35	544213-001 Thread Unwinder Comp. Screw (2)		
36	376781-002 Convertible Bed Plate Comp.		



PARTS NO.	DESCRIPTION	PARTS NO.	DESCRIPTION
1 376818	One Turn Tension Dial Bracket (chain stitch looper) Comp.	37 410230	Tension Dial Presser Spring
2 410226	Tension Disc (2)	38 544265	Tension Dial Presser Spring Screw
3 412679	Tension Disc Spring	39 376830	One Turn Tension Dial Bracket (right needle) Comp.
4 370289	Tension Disc Spring Nut	40 544212-001	One Turn Tension Dial Bracket (right needle) Comp. Set Screw
5 412696	Tension Dial Washer	41 376817	One Turn Tension Dial Bracket (left needle) Comp.
6 410229-467	Tension Dial (chain stitch looper) Comp.	42 410226	Tension Disc (2)
7 410230	Tension Dial Presser Spring	43 412720	Tension Disc Spring
8 544265	Tension Dial Presser Spring Screw	44 370289	Tension Disc Spring Nut
9 376881	One Turn Tension Dial Bracket (chain stitch looper) Comp.	45 412696	Tension Dial Washer
10 544212-001	One Turn Tension Dial Bracket (chain stitch looper) Comp. Set Screw	46 410229-461	Tension Dial (left needle) Comp.
11 376818	One Turn Tension Dial Bracket (left looper) Comp.	47 410230	Tension Dial Presser Spring
12 410226	Tension Disc (2)	48 544265	Tension Dial Presser Spring Screw
13 412680	Tension Disc Spring	49 376819	One Turn Tension Dial Bracket (Left Needle) Comp.
14 370289	Tension Disc Spring Nut	50 412697-002	One Turn Tension Dial Bracket (two needle) Comp. Set Screw
15 412696	Tension Dial Washer	51 376822	One Turn Tension Dial Bracket (right looper, left looper & chain stitch looper) Comp.
16 410229-460	Tension Dial (left looper) Comp.	52 376821	One Turn Tension Dial Bracket (two Needle) Comp.
17 410230	Tension Dial Presser Spring	53 376876-451	Front Cover Comp.
18 544265	Tension Dial Presser Spring Screw	54 412531	Front Cover Thread Guide (small)
19 376831	One Turn Tension Dial Bracket (left looper) Comp.	55 412697	Front Cover Thread Guide Bracket Screw
20 544212-001	One Turn Tension Dial Bracket (left looper) Comp. Set Screw	56 376880	Front Cover Thread Guide Bracket
21 376817	One Turn Tension Dial Bracket (right looper) Comp.	57 412697-002	Front Cover Thread Guide (small) Screw
22 410226	Tension Disc (2)	58 376875-451	Front Cover Comp.
23 412679	Tension Disc Spring	59 544212-073	Front Cover Screw (4)
24 370289	Tension Disc Spring Nut		
25 412696	Tension Dial Washer		
26 410229-459	Tension Dial (right looper) Comp.		
27 410230	Tension Dial Presser Spring		
28 544265	Tension Dial Presser Spring Screw		
29 376832	One Turn Tension Dial Bracket (right looper) Comp.		
30 412697-002	One Turn Tension Dial Bracket (right looper, left looper & chain stitch looper) Comp. Set Screw		
31 370245	One Turn Tension Dial Bracket (right needle) Comp.		
32 410226	Tension Disc (2)		
33 412720	Tension Disc Spring		
34 370289	Tension Disc Spring Nut		
35 412696	Tension Dial Washer		
36 410229-462	Tension Dial (right needle) Comp.		

From the library of: Diamond Needle Corp

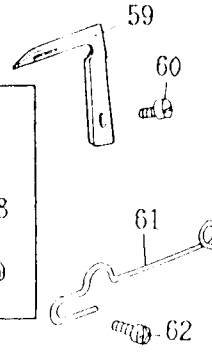
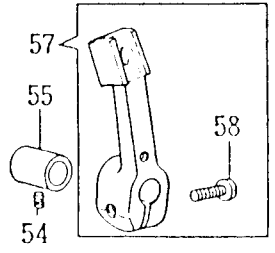
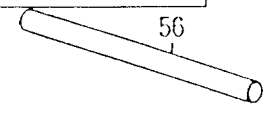
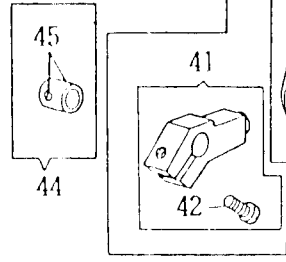
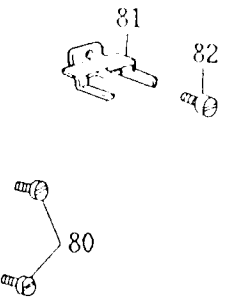
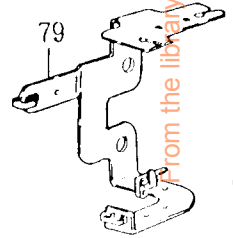
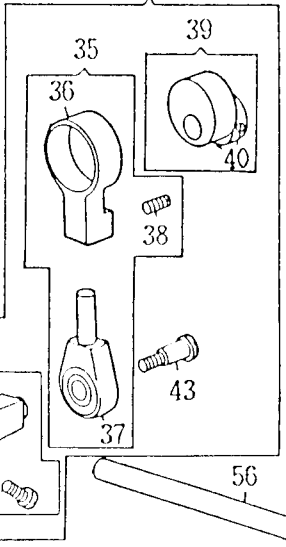
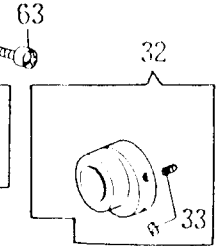
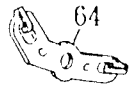
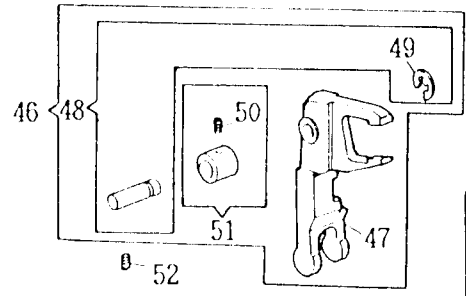
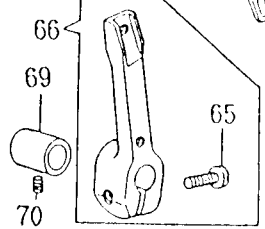
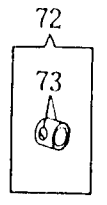
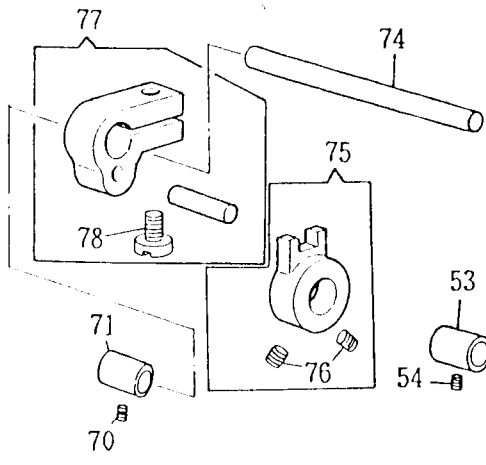
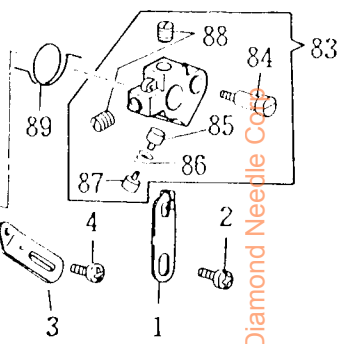
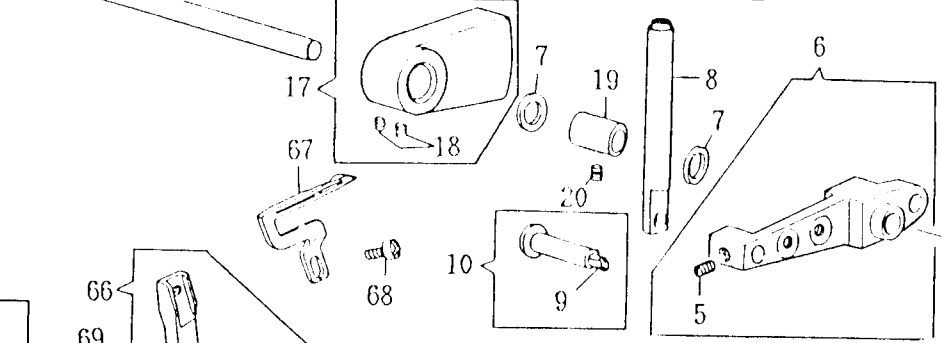
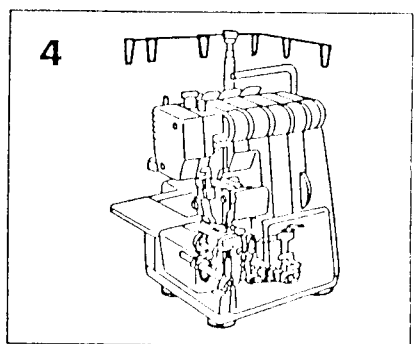
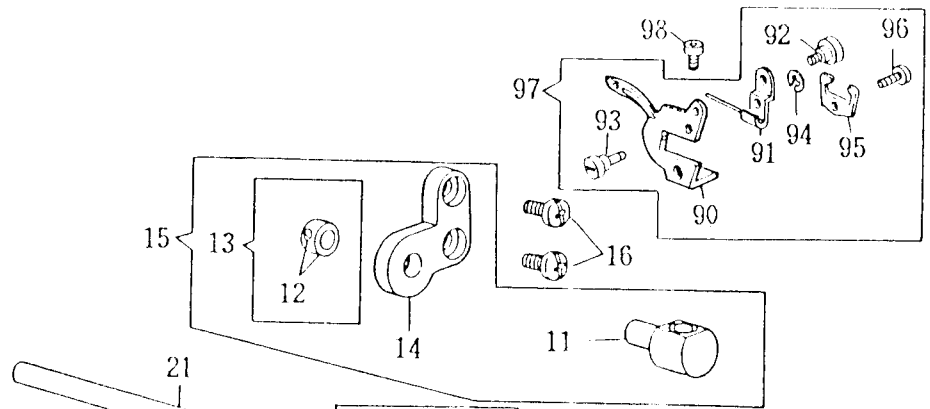
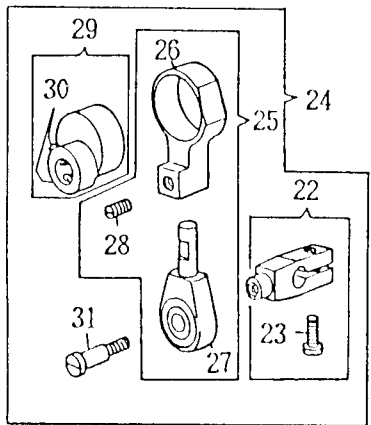
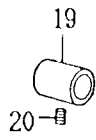


From the library of Diamond Netweave Corp



	PARTS NO.	DESCRIPTION		PARTS NO.	DESCRIPTION
1	544262-101	Presser Regulating Thumb Screw	39	543801-006	Needle Bar Crank Rod Pin Retaining Ring
2	410355	Presser Bar Spring	40	370242	Needle Bar Crank Rod Comp.
3	544204-001	Presser Bar Guide Bracket Screw	41	370243	Needle Bar Crank Rod Comp.
4	410352	Presser Bar Guide Bracket Comp.	42	511030	Needle Bar Crank Rod Slide Block
5	410351	Presser Bar	43	543801-006	Needle Bar Crank Rod Slide Block Pin Retaining Ring
6	504063-451	Presser Foot Screw	44	410340	Needle Bar Crank Rod Slide Block Pin
7	376882	Presser Foot Comp.	45	410329	Needle Bar Eccentric Cam Comp.
8	376883	Presser Foot Comp.	46	544204-002	Needle Bar Eccentric Cam Set Screw (2)
9	544264	Presser Foot Screw Stud	47	412684	Arm Shaft
10	410349	Thread Cutter	48	544204-001	Arm Shaft Bushing Set Screw (2)
11	410348	Presser Foot Spring	49	410279	Arm Shaft Bushing (2)
12	412787-100	Presser Bar Lifter	50	376887	Needle Bar Connecting Link Comp.
13	544441	Presser Bar Lifter Screw Stud	51	410327	Needle Bar Connecting Link
14	R2054-01-14	Needle (2)	52	376888	Striker
15	410322-100	Needle Bar Bushing (upper) Cap	53	544211-051	Striker Screw
16	410323	Needle Bar Bushing (upper)	54	410325	Needle Bar Connecting Stud Comp.
17	544204-001	Needle Bar Bushing Set Screw (2)	55	544044	Needle Bar Connecting Stud Screw
18	376844	Needle Bar	56	544204-001	Arm Shaft Balance Weight Set Screw (2)
19	410324	Needle Bar Bushing (lower)	57	370254	Arm Shaft Balance Weight Comp.
20	370232	Needle Clamp Thread Guide	58	543801-007	Arm Shaft Retaining Ring
21	374353	Needle Clamp Thread Guide Set Screw			
22	370266	Overedge Needle Thread Guide			
23	374102	Needle Clamp Set Screw			
24	374334	Needle Set Screw (for overedge needle)			
25	549324	Needle Set Screw (for chain stitch needle)			
26	370233	Needle Thread Pre-tension Spring			
27	370231	Needle Thread Pre-tension Plate			
28	370230	Needle Thread Pre-tension Bracket			
29	374352	Needle Thread Pre-tension Plate Stud Screw			
30	374353	Needle Thread Pre-tension Bracket Screw			
31	376885	Needle Clamp Comp.			
32	410340	Needle Bar Connecting Link Pin			
33	543801-006	Needle Bar Connecting Link Pin Retaining Ring			
34	412707	Needle Bar Crank Comp.			
35	544203-001	Needle Bar Connecting Link Pin Screw			
36	544203-001	Needle Bar Crank Rod Pin Screw			
37	544204-001	Needle Bar Crank Screw (2)			
38	410340	Needle Bar Crank Rod Pin			

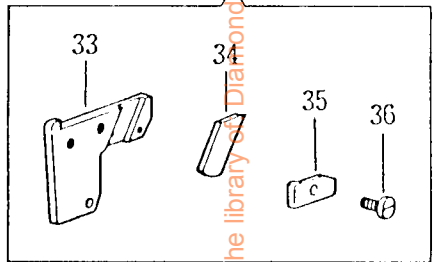
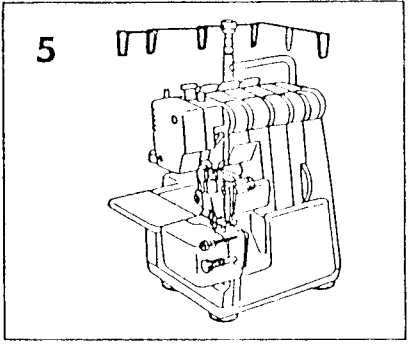
From the library of: Diamond Needle Corp



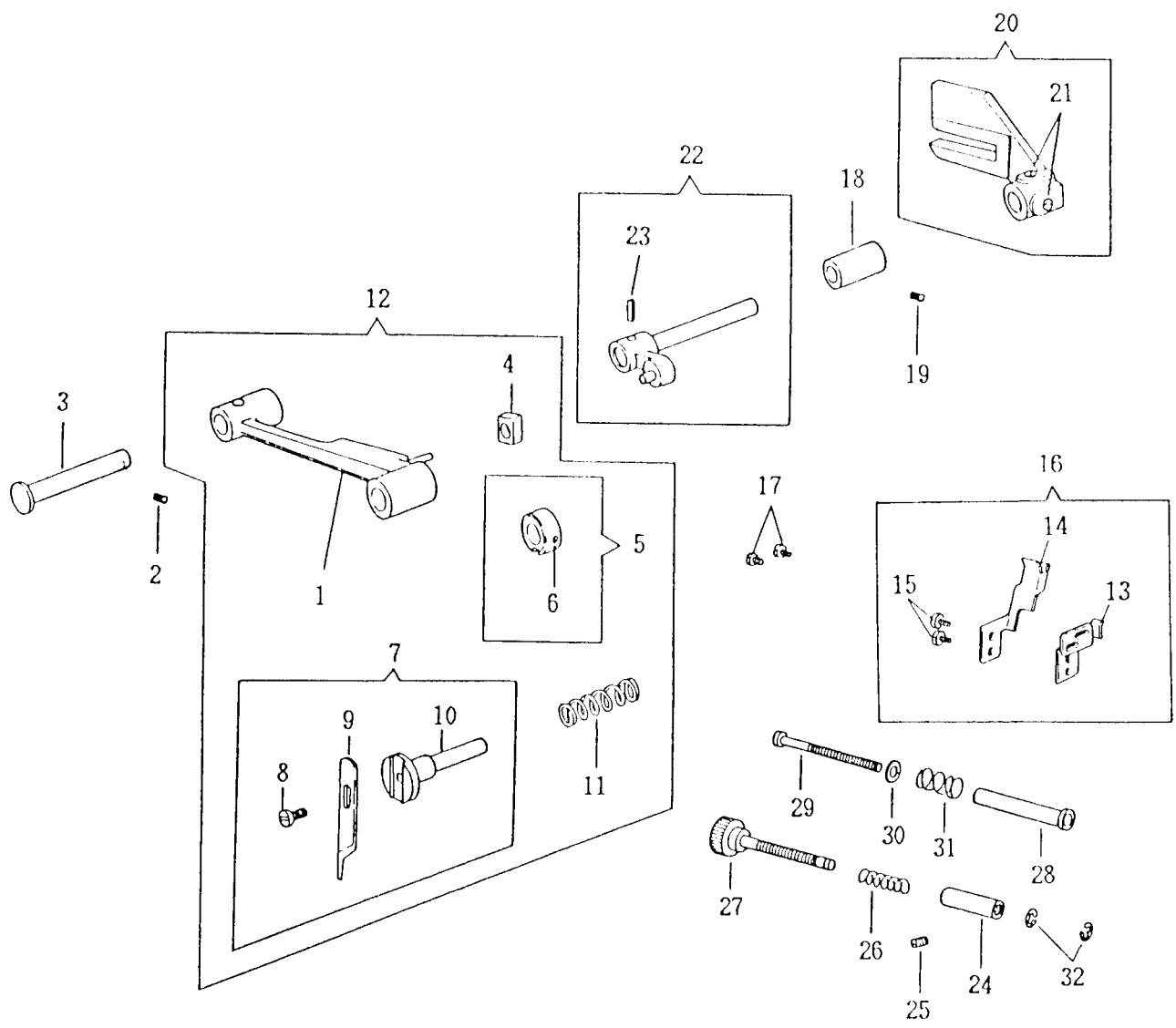
From the library of: Diamond Needle Co.

	PARTS NO.	DESCRIPTION		PARTS NO.	DESCRIPTION		PARTS NO.	DESCRIPTION
1	410455	Right Looper Thread Guide	35	412793	Chain Stitch Looper Cam Rod Comp.	65	544213-053	Left Looper Holder Screw
2	544212-001	Right Looper Thread Guide Set Screw	36	412794	Chain Stitch Looper Cam Rod	66	370206	Left Looper Holder Comp.
3	370279	Left Looper Thread Guide	37	412795	Chain Stitch Looper Cam Rod End	67	410452	Left Looper
4	544212-001	Left Looper Thread Guide Set Screw	38	544208-002	Chain Stitch Looper Cam Rod End Screw	68	544211-052	Left Looper Screw
5	544203-001	Right Looper Retainer Driving Lever Stud Set Screw	39	376897	Chain Stitch Looper Cam Comp.	69	410279	Left Looper Shaft Bushing (front)
6	376892	Right Looper Retainer Driving Lever (back) Comp.	40	544203-001	Chain Stitch Looper Cam Set Screw (2)	70	544204-001	Left Looper Shaft Bushing Screw (2)
7	370247	Thrust Washer (2)	41	376895	Chain Stitch Looper Shaft Lever Comp.	71	410280	Left Looper Shaft Bushing (back)
8	410435	Right Looper Retainer	42	544213-054	Chain Stitch Looper Shaft Lever Screw	72	410291	Left Looper Shaft Collar Comp.
9	410422	Right Looper Retainer Driving Lever Stud Oil Wick	43	374136	Chain Stitch Looper Cam Rod End Screw Stud	73	544203-001	Left Looper Shaft Collar Screw (2)
10	410449	Right Looper Retainer Driving Lever Stud Comp.	44	410291	Chain Stitch Looper Shaft Collar Comp. (2)	74	376900	Left Looper Shaft
11	410429	Right Looper Retainer Guide	45	544203-001	Chain Stitch Looper Shaft Collar Set Screw (4)	75	370201	Left Looper Driving Forked Lever Comp.
12	544203-001	Right Looper Retainer Guide Collar Screw (2)	46	412564	Chain Stitch Looper Avoid Cam Forked Lever Comp	76	544203-001	Left Looper Driving Forked Lever Screw (2)
13	410432	Right Looper Retainer Guide Collar Comp.	47	412565	Chain Stitch Looper Avoid Cam Forked Lever	77	370203	Left Looper Driving Arm Comp.
14	370272	Right Looper Retainer Guide Bracket	48	412566	Chain Stitch Looper Avoid Cam Forked Lever Stud Comp.	78	544212-054	Left Looper Driving Arm Screw
15	370273	Right Looper Retainer Guide Bracket Comp.	49	543801-006	Chain Stitch Looper Avoid Cam Forked Lever Stud Retaining Ring	79	376800-002	Looper Thread Guide
16	544213-002	Right Looper Retainer Guide Bracket Screw (2)	50	504007	Chain Stitch Looper Avoid Cam Forked Lever Stud Collar Screw	80	544212-001	Looper Thread Guide Screw (2)
17	370253	Right Looper Shaft Balance Weight Comp.	51	410409	Chain Stitch Looper Avoid Cam Forked Lever Stud Collar Comp.	81	370225	Chain Stitch Looper Thread Guide
18	544204-001	Right Looper Shaft Balance Weight Set Screw (2)	52	544204-001	Chain Stitch Looper Avoid Cam Forked Lever Stud Screw	82	544212-001	Chain Stitch Looper Thread Guide Set Screw
19	410279	Right Looper Shaft Bushing (2)	53	410280	Chain Stitch Looper Shaft Bushing (back)	83	376890	Right Looper Retainer Driving Lever (front) Comp.
20	544204-001	Right Looper Shaft Bushing Set Screw (2)	54	544204-001	Chain Stitch Looper Shaft Bushing Set Screw (2)	84	544418	Right Looper Retainer Driving Lever Lock Screw
21	376889	Right Looper Shaft	55	410279	Chain Stitch Looper Shaft Bushing (front)	85	410495	Right Looper Retainer Driving Lever Lock Screw Pin
22	412796	Right Looper Shaft Lever Comp.	56	376899	Chain Stitch Looper Shaft	86	412546	Right Looper Retainer Driving Lever Lock Screw Pin Spring
23	544213-054	Right Looper Shaft Lever Screw	57	412551	Chain Stitch Looper Holder Comp.	87	544419	Right Looper Retainer Driving Lever Lock Screw Pin Spring Screw
24	376707	Right Looper Cam Rod Comp.	58	544213-053	Chain Stitch Looper Holder Screw	88	544204-001	Right Looper Retainer Driving Lever (front) Screw (2)
25	412793	Right Looper Cam Rod Comp.	59	412553	Chain Stitch Looper	89	370234	Right Looper Retainer Driving Lever (back) Return Spring
26	412794	Right Looper Cam Rod	60	549364	Chain Stitch Looper Screw	90	370236	Right Looper
27	412795	Right Looper Cam Rod End	61	412554	Chain Stitch Looper Holder Thread Guide	91	370237	Right Looper Horn Bracket Comp.
28	544208-002	Right Looper Cam Rod End Set Screw	62	544212-001	Chain Stitch Looper Holder Thread Guide Screw	92	374354	Right Looper Horn Bracket Hinge Screw
29	376701	Right Looper Cam Comp.	63	544212-001	Left Looper Holder Thread Guide Screw	93	370240	Right Looper Horn Bracket Eccentric Pin
30	544204-001	Right Looper Cam Set Screw (2)	64	370208	Left Looper Holder Thread Guide	94	543801-001	Right Looper Horn Bracket Eccentric Pin Retaining Ring
31	374136	Right Looper Cam Rod End Screw Stud				95	370241	Right Looper Horn Bracket Stopper
32	412569	Chain Stitch Looper Avoid Cam Comp.				96	374355	Right Looper Horn Bracket Stopper Screw
33	544203-001	Chain Stitch Looper Avoid Cam Screw (2)				97	370235	Right Looper Comp.
34	376894	Chain Stitch Looper Cam Rod Comp.				98	544413	Right Looper Screw

From the Library of: Darabond, The College

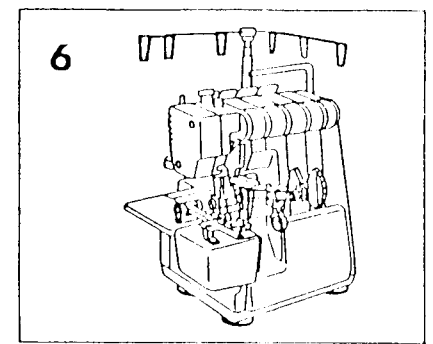
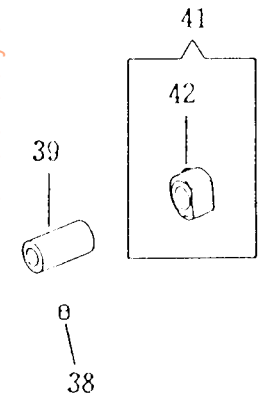
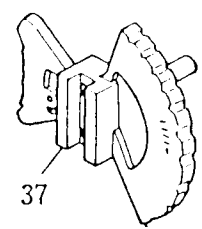
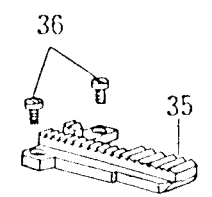
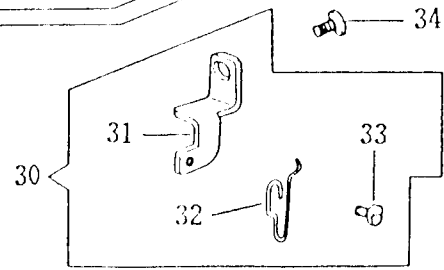
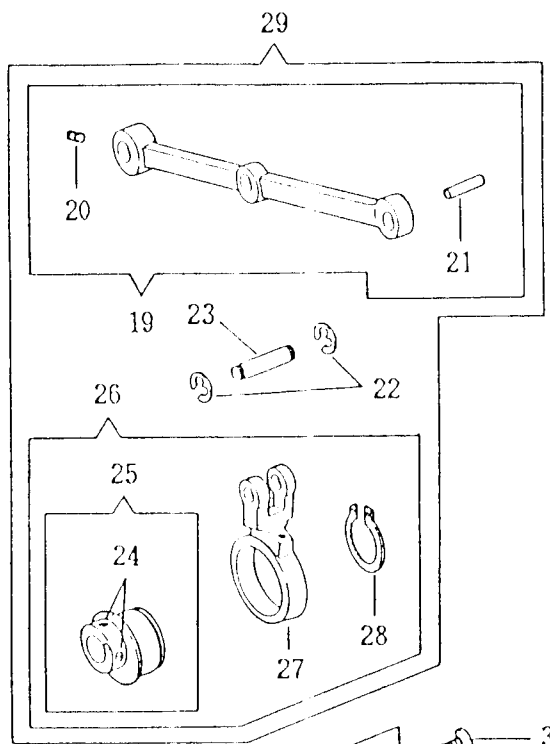
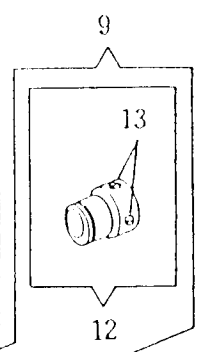
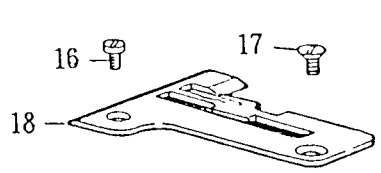
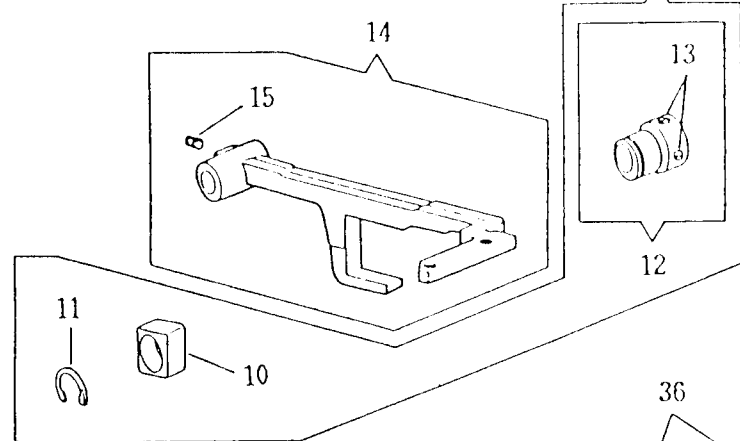
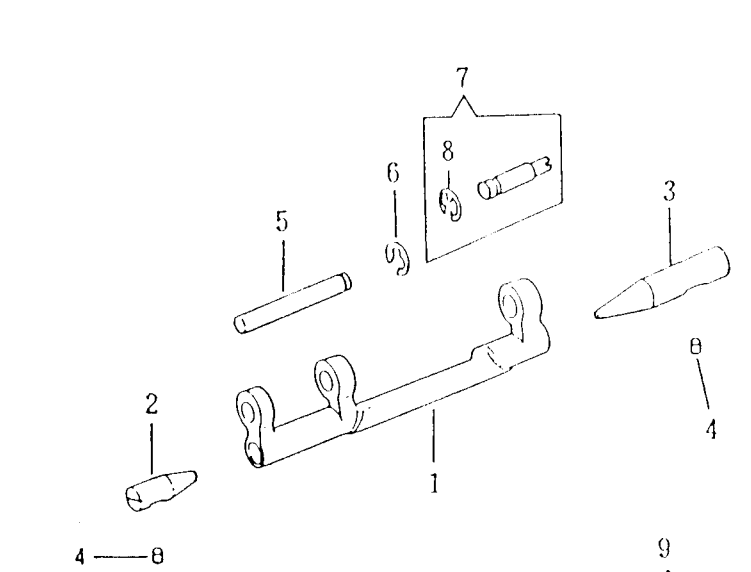


From the library of Diamond Needle Corp



	PARTS NO.	DESCRIPTION	PARTS NO.	DESCRIPTION
1	412582-452	Knife (movable) Lever Comp.		
2	544204-001	Knife (movable) Lever Hinge Stud Screw		
3	410310	Knife (movable) Lever Hinge Stud		
4	540254	Knife (movable) Lever Slide Block		
5	410308	Knife (movable) Holder Collar Comp.		
6	544203-001	Knife (movable) Holder Collar Set Screw		
7	412584	Knife (movable) Comp.		
8	544407	Knife (movable) Screw		
9	412585	Knife (movable)		
10	412586	Knife (movable) Holder		
11	410307	Knife (movable) Holder Spring		
12	412581-452	Knife (movable) Lever Comp.		
13	412588	Needle Guard (front)		
14	370246	Needle Guard (back)		
15	545180	Needle Guard (back) Set Screw (2)		
16	370211	Needle Guard Comp.		
17	545180	Needle Guard Comp. Set Screw (2)		
18	410316	Knife (movable) Forked Lever Stud Bushing		
19	544204-001	Knife (movable) Forked Lever Stud Bushing Set Screw		
20	370255	Knife (movable) Forked Lever Comp.		
21	544204-001	Knife (movable) Forked Lever Screw (2)		
22	410312-013	Knife (movable) Lever Driving Arm Comp.		
23	543809-002	Knife (movable) Lever Driving Arm Spring Pin		
24	412741	Knife (stationary) Holder Adjust Screw Bushing		
25	544207-002	Knife (stationary) Holder Adjust Screw Bushing Screw		
26	381877	Knife (stationary) Holder Adjust Screw Spring		
27	412740	Knife (stationary) Holder Adjust Screw Comp.		
28	412773	Knife (stationary) Holder Stud		
29	374104	knife (stationary) Holder Stud Screw		
30	541217	Knife (stationary) Holder Stud Screw Washer		
31	412774	Knife (stationary) Holder Stud Spring		
32	547412	Knife (stationary) Holder Adjust Screw Retaining Ring (2)		
33	370210	Knife (stationary) Holder		
34	412749	Knife (stationary)		
35	410297	Knife (stationary) Clamping Plate		
36	544256	Knife (stationary) Clamping Plate Screw		
37	370209	Knife (stationary) Comp.		

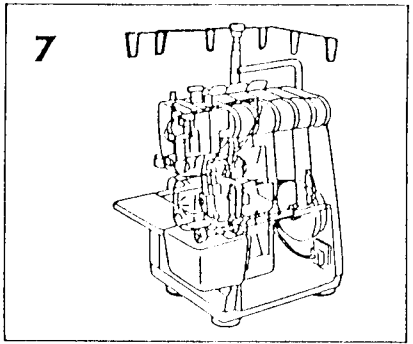
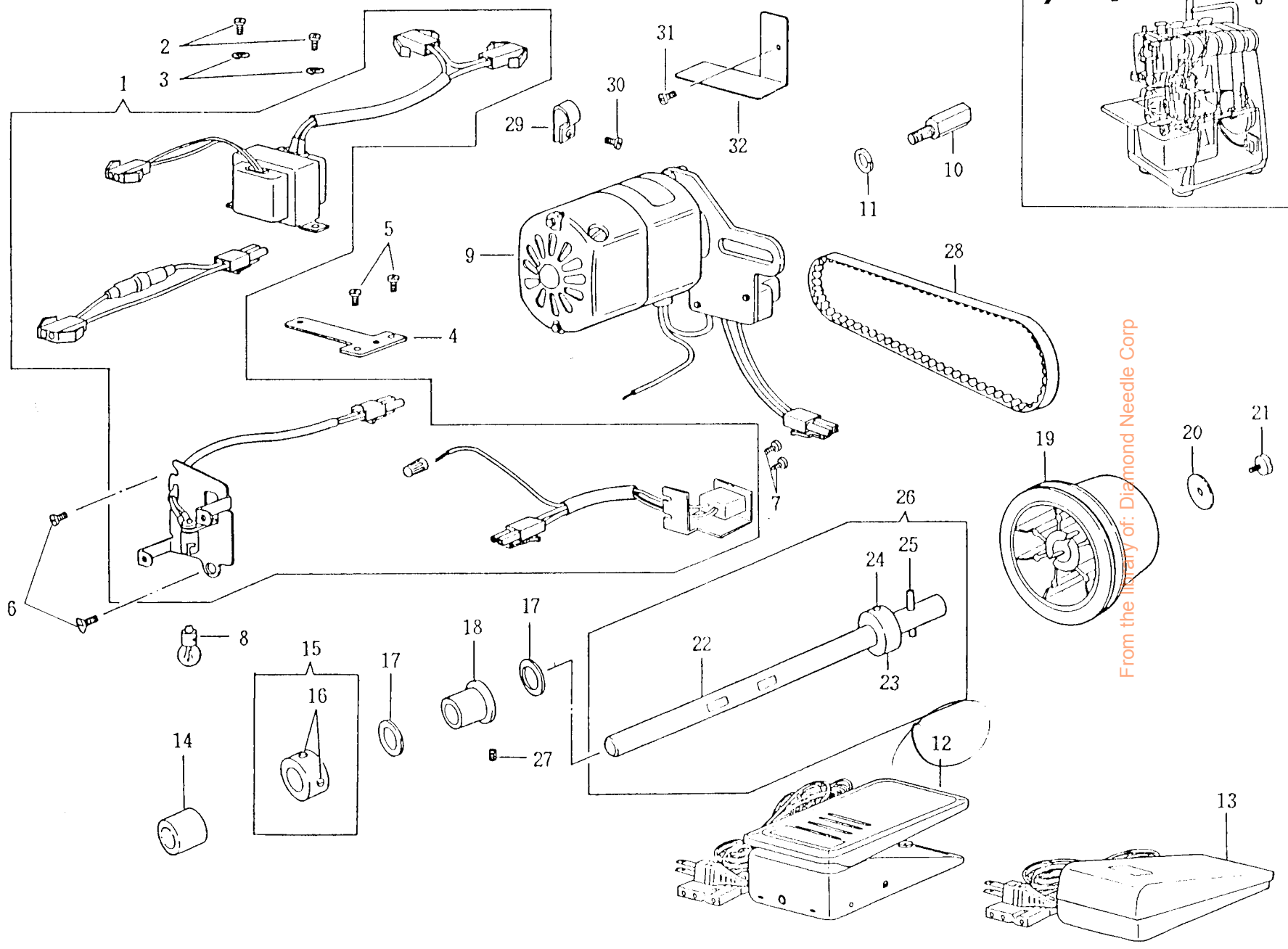
From the library of: Diamond Needle Corp



From the library of: Diamond Needle Corp

PARTS NO.	DESCRIPTION	PARTS NO.	DESCRIPTION
1 410378	Feed Crank.	39 410370	Feed Regulator Dial Stud Bushing
2 410380	Feed Crank Pin Center (small)	40 540254	Feed Regulator Slide Block
3 410379	Feed Crank Pin Center (large)	41 410409	Feed Regulator Dial Stud Collar Comp.
4 544204-001	Feed Crank Pin Center Screw (2)	42 504007	Feed Regulator Dial Stud Collar Screw
5 410381	Feed Crank Pin		
6 543801-006	Feed Crank Pin Retaining Ring		
7 410382	Feed Crank Eccentric Pin Comp.		
8 543801-007	Feed Crank Eccentric Pin Retaining Ring		
9 410384	Feed Lifting Cam Comp.		
10 410387	Feed Lifting Cam Slide Block		
11 543818-010	Feed Lifting Cam Slide Block Retaining Ring		
12 410385	Feed Lifting Cam Comp.		
13 544204-001	Feed Lifting Cam Set Screw (2)		
14 410399	Feed Bar Comp.		
15 544204-001	Feed Crank Pin Screw		
16 412694	Throat Plate Position Screw		
17 504050-851	Throat Plate Screw		
18 370216	Throat Plate		
19 410364	Feed Regulator Crank Rod Comp.		
20 544204-001	Feed Crank Eccentric Pin Screw		
21 410373	Feed Regulator Slide Block Stud		
22 543801-006	Feed Crank Rod Pin Retaining Ring (2)		
23 410363	Feed Crank Rod Pin		
24 544203-001	Feed Cam Screw (2)		
25 410360	Feed Cam Comp.		
26 410359	Feed Cam Comp.		
27 410362	Feed Crank Rod		
28 543802-014	Feed Cam Retaining Ring		
29 410393	Feed Regulator Crank Rod Comp.		
30 410375	Feed Regulator Dial Spring Bracket Comp.		
31 410376	Feed Regulator Dial Spring Bracket		
32 410377	Feed Regulator Dial Spring		
33 544212-001	Feed Regulator Dial Spring Screw		
34 544213-001	Feed Regulator Dial Spring Bracket Screw		
35 370215	Feed Dog		
36 544103	Feed Dog Screw (2)		
37 412788-003	Feed Regulator Dial		
38 544204-001	Feed Regulator Dial Stud Bushing Set Screw		

From the library of: Diamond Needle Corp

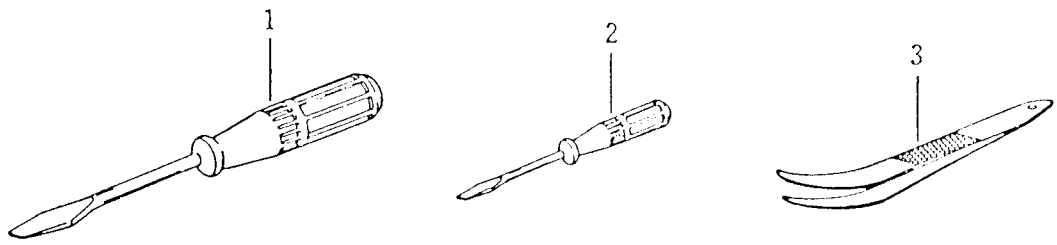


From the library of: Diamond Needle Corp

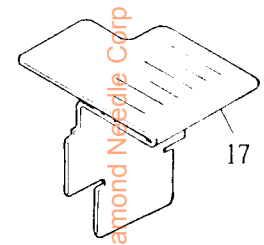
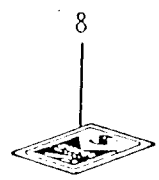
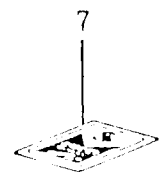
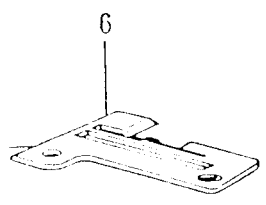
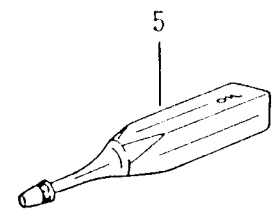
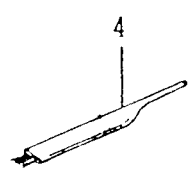
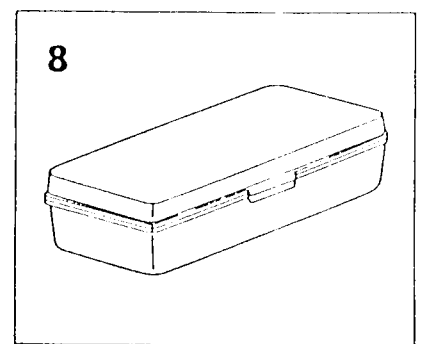


PARTS NO.	DESCRIPTION	PARTS NO.	DESCRIPTION
1	419452	Switch,Transformer,Lamp Holder Comp.	
2	549324	Transformer Screw (2)	
3	543805-002	Transformer Screw Spring Washer (2)	
4	412752	Transformer Bracket	
5	544212-001	Transformer Bracket Screw (2)	
6	544212-001	Lamp Holder Bracket Screw (2)	
7	544212-001	Switch Bracket Screw (2)	
8	419088	Lamp	
9	419114-002	Motor Comp.	
10	544259	Motor Bracket Clamping Screw	
11	543805-005	Motor Bracket Clamping Screw Washer	
12	419115-002	Controller Comp. ( FOR 65B W/C )	
13	419451-002	Controller Comp. ( FOR 85B W/C UL ONLY )	
14	410252	Rotating Shaft Bushing (left)	
15	410470	Rotating Shaft Collar Comp.	
16	544204-001	Rotating Shaft Collar Set Screw (2)	
17	408730	Rotating Shaft Thrust Washer (2)	
18	410253	Rotating Shaft Bushing (right)	
19	410268-002	Pulley	
20	543848	Pulley Set Screw Washer	
21	544270-001	Pulley Set Screw	
22	410257	Rotating Shaft	
23	410469	Rotating Shaft Collar (fixed)	
24	543808-004	Rotating Shaft Collar Positioning Pin	
25	543809-004	Rotating Shaft Spring Pin	
26	410256	Rotating Shaft Comp.	
27	544204-001	Rotating Shaft Bushing (right) Set Screw	
28	412721	Motor Belt	
29	542766-001	Cord Holder	
30	544212-001	Cord Holder Screw	
31	544212-001	Cord Clamping Plate Screw	
32	412737	Cord Clamping Plate	

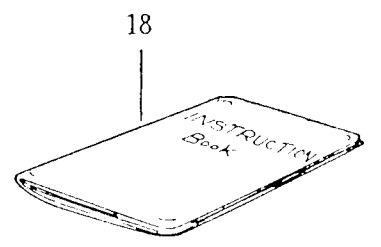
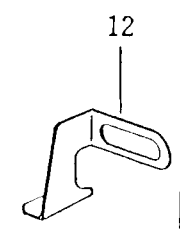
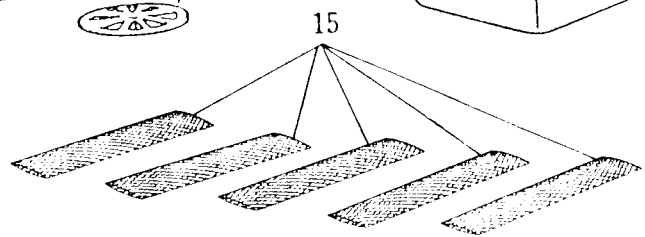
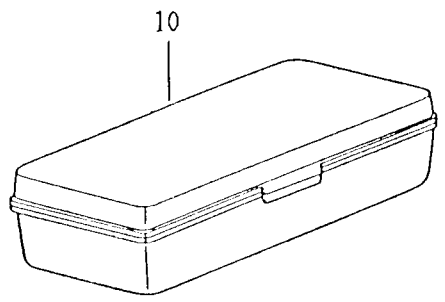
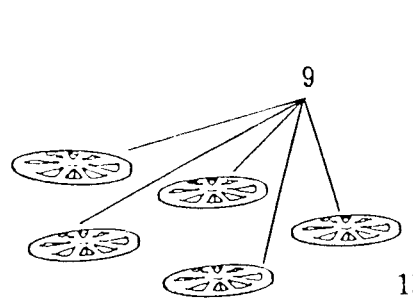
From the library of: Diamond Needle Corp



16



From the library of: Diamond Needle Corp

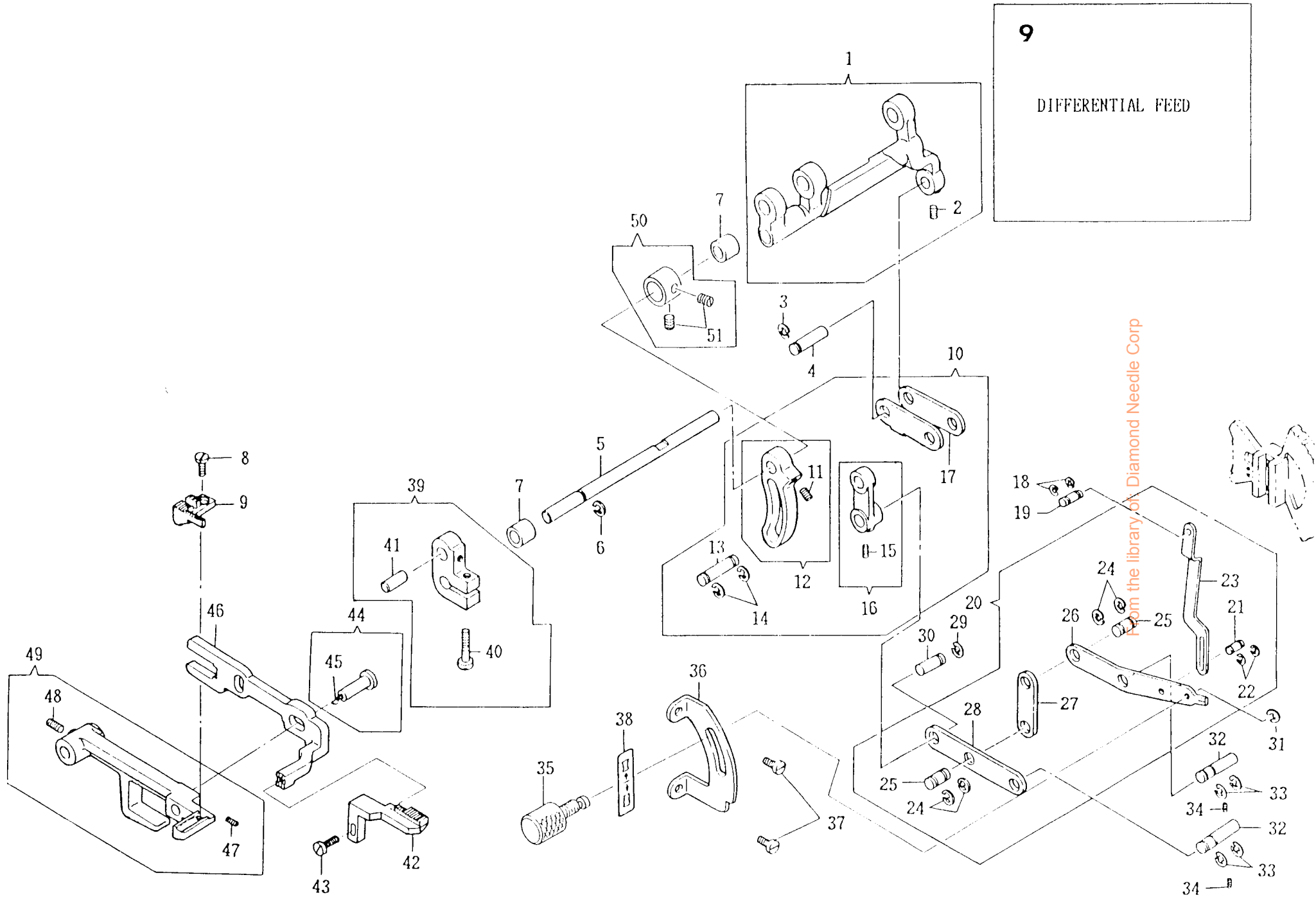


PARTS NO.	DESCRIPTION	PARTS NO.	DESCRIPTION
1	541513	Driver (large)	
2	541514	Driver (small)	
3	376853	Tweezers	
4	546358	Brush	
5	541574	Oiler	
6	370218	Throat Plate For Rolled Hem Comp.	
7	N2054-01-10	Needle (2)	
8	N2054-01-14	Needle (3)	
9	546894	Thread Unwinder Spool Cap (5)	
10	543150-002	Accessory Box	
11	412762	Tape Guide	
12	412746	Edge Guide	
13	543803-003	Edge Guide Screw Washer	
14	374105	Edge Guide Screw	
15	543131	Thread Unwinder Spool Net (5)	
16	412658-020	Accessory Set	
17	412520	Chain Stitch Seam Width Gage	
18	379206-002	Instruction Book	

From the library of: Diamond Needle Corp

9

DIFFERENTIAL FEED



From the library of Diamond Needle Corp

	PARTS NO.	DESCRIPTION		PARTS NO.	DESCRIPTION
1	412618	Differential Feed Crank Comp.	39	370220	Differential Feed Arm Comp.
2	544204-001	Differential Feed Crank Stud Screw	40	544212-055	Differential Feed Arm Clamping Screw
3	543801-006	Differential Feed Crank Stud Retaining Ring	41	412634	Auxiliary Feed Bar Driving Pin
4	412620	Differential Feed Crank Stud	42	370224	Auxiliary Feed Dog
5	412628	Differential Feed Shaft	43	544490	Auxiliary Feed Dog Screw
6	543801-006	Differential Feed Shaft Retaining Ring	44	410266	Auxiliary Feed Bar Guide Pin Comp.
7	410324	Differential Feed Shaft Bushing (2)	45	410422	Auxiliary Feed Bar Guide Pin Wick
8	544103	Main Feed Dog Screw	46	412648	Auxiliary Feed Bar
9	370223	Main Feed Dog	47	544203-001	Auxiliary Feed Bar Guide Pin Screw
10	412621	Differential Feed Crank Rod Comp.	48	544204-001	Feed Crank Pin Screw
11	544204-001	Differential Feed Adjusting Arm Screw	49	412646	Main Feed Bar Comp.
12	412623	Differential Feed Adjusting Arm Comp.	50	375390	Differential Feed Shaft Collar Comp.
13	412627	Differential Feed Crank Rod Stud	51	544203-001	Differential Feed Shaft Collar Screw (2)
14	543801-006	Differential Feed Crank Rod Stud Retaining Ring (2)			
15	544203-001	Differential Feed Adjusting Lever Arm Pin Screw			
16	412625	Differential Feed Adjusting Lever Arm Comp.			
17	412622	Differential Feed Crank Rod			
18	543801-002	Differential Feed Safety Plate Stud Retaining Ring (2)			
19	412643	Differential Feed Safety Plate Stud (upper)			
20	412636	Differential Feed Adjusting Lever Comp.			
21	412642	Differential Feed Safety Plate Stud (lower)			
22	543801-002	Differential Feed Safety Plate Stud Retaining Ring (2)			
23	412641	Differential Feed Safety Plate			
24	543801-006	Differential Feed Adjusting Lever Pin Retaining Ring (4)			
25	412638	Differential Feed Adjusting Lever Pin (2)			
26	412640	Differential Feed Adjusting Lever (upper)			
27	412639	Differential Feed Adjusting Lever Link			
28	412637	Differential Feed Adjusting Lever (lower)			
29	543801-006	Differential Feed Adjusting Lever Arm Pin Retaining Ring			
30	412635	Differential Feed Adjusting Lever Arm Pin			
31	543860-003	Differential Feed Konb Screw Retaining Ring			
32	412644	Differential Feed Adjusting Lever Stud (2)			
33	543801-006	Differential Feed Adjusting Lever Stud Retaining Ring (4)			
34	544203-001	Differential Feed Adjusting Lever Stud Screw (2)			
35	376784	Differential Feed Konb Screw			
36	412645	Differential Feed Adjusting Lever Guide Plate			
37	544212-001	Differential Feed Adjusting Lever Guide Plate Screw (2)			
38	412655-902	Differential Feed Sticker			

From the library of: Diamond Needle Corp